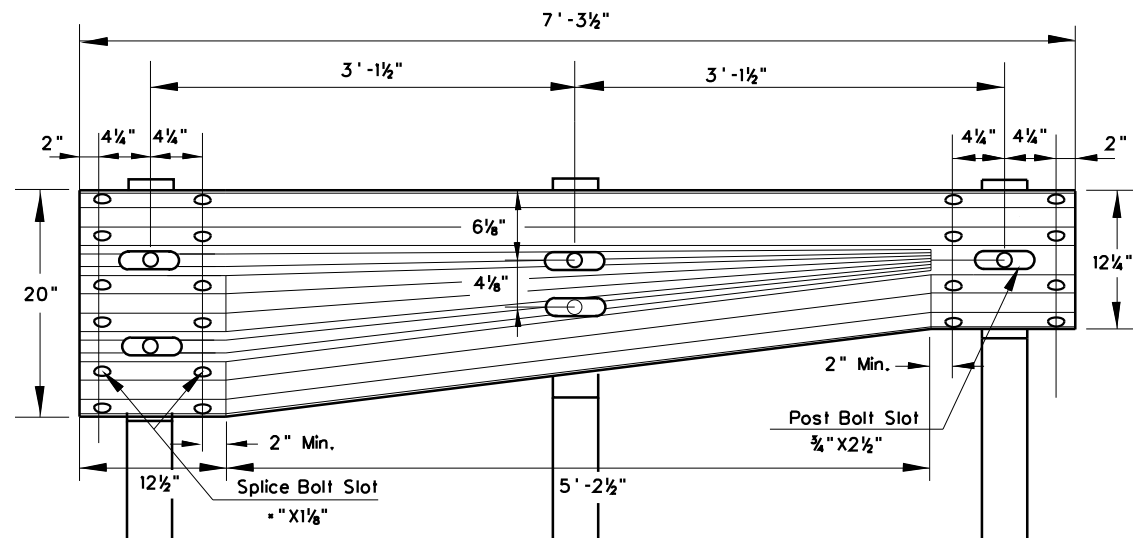
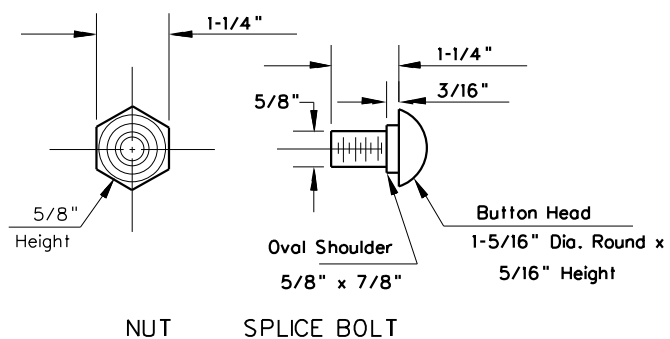


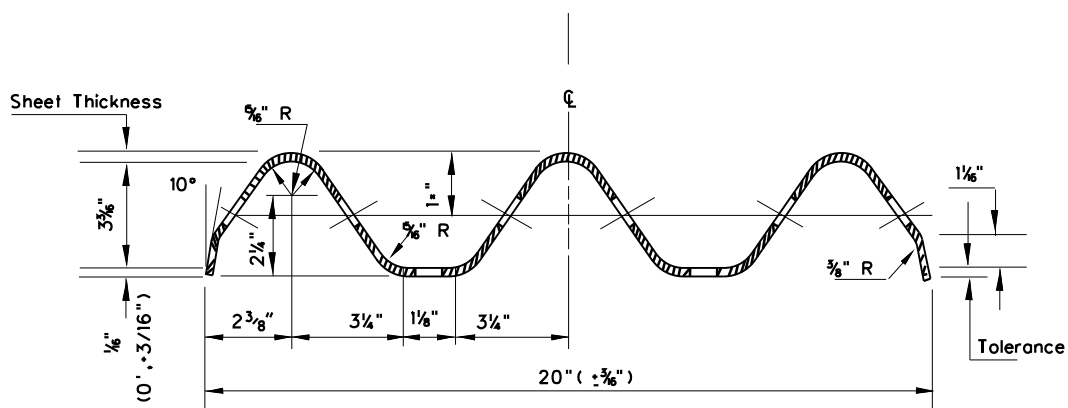
5/8" BEARING PLATE DETAIL



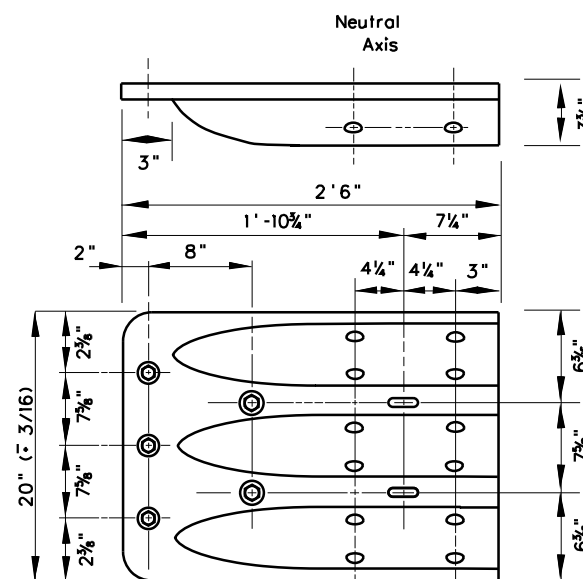
ASYMMETRICAL TRANSITION SECTION DETAIL
(W- THRIE BEAM)



NUT AND SPLICE BOLT DETAIL
(POST BOLT: Similar Except Length)



SECTION THRU THRIE BEAM RAIL ELEMENT



THRIE BEAM TERMINAL
CONNECTOR DETAIL

31" TOP OF RAIL HEIGHT

WEST VIRGINIA DEPARTMENT OF TRANSPORTATION
DIVISION OF HIGHWAYS
STANDARD DETAIL

REVISED STANDARD DETAIL

PREPARED 7-1-99
REVISION DATE
11-21-2012

**THRIE BEAM
GUARDRAIL BRIDGE
TRANSITION AND
CONNECTION**

REPLACES SHEET 2 OF 2
SHEET GR11